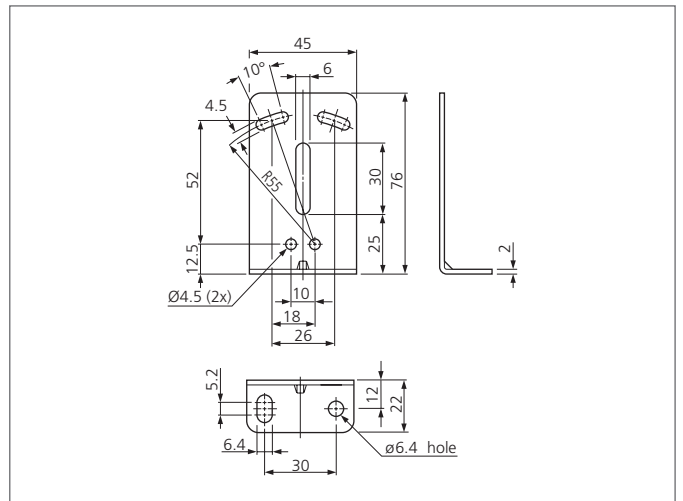
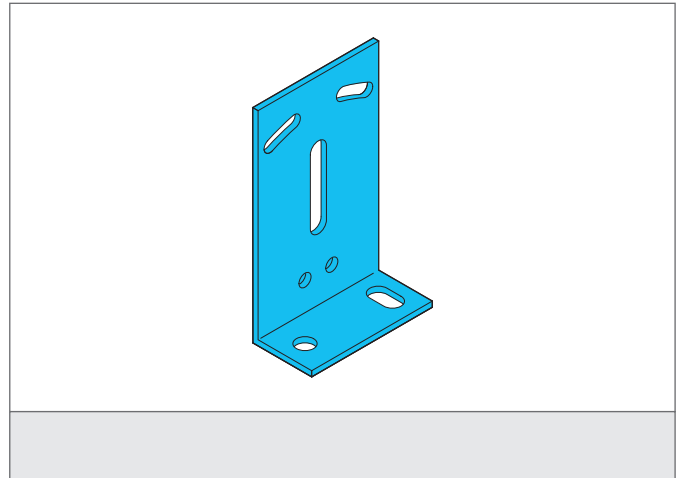


BW 68-2 Mounting Bracket

- Adjustable
- Robust design



TECHNICAL INFORMATION (typ.)

Mounting hole	$\varnothing 4,5$ mm
For	OHT 68 ...
Casing material	metal